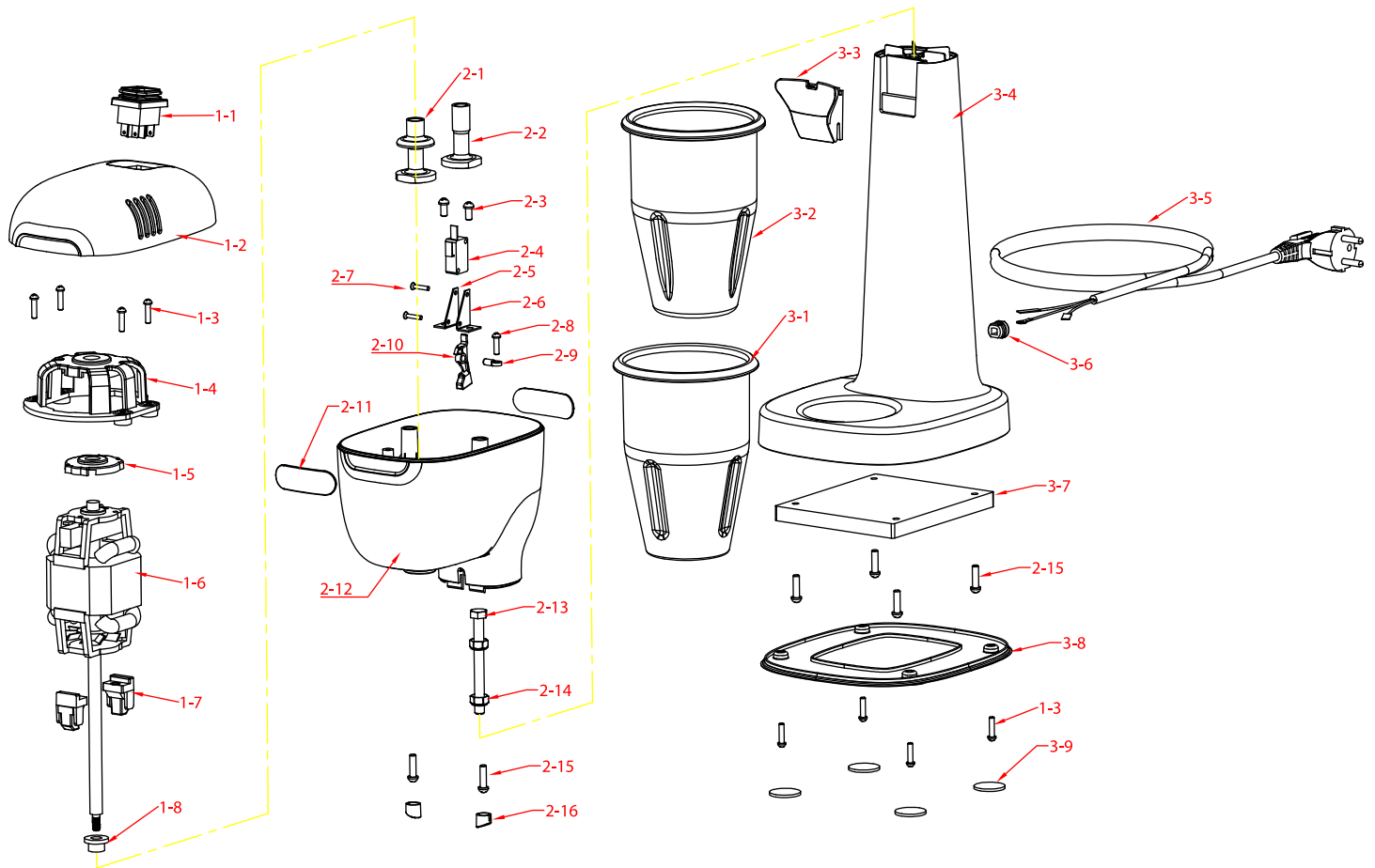


# Parts Breakdown

Model **BL-CN-0750-B** 48889



# Parts Breakdown

---

## Model **BL-CN-0750-B** 48889

Item No.	Description	Position	Item No.	Description	Position	Item No.	Description	Position
AR765	Switch for 48889	1-1	AR776	Micro Switch for 48889	2-4	AR787	Screw 5x18 for 48889	2-15
AR766	Housing Cover for 48889	1-2	AR777	Holder L for 48889	2-5	AR788	Cover for Hole for 48889	2-16
AR767	Screw 4x16 for 48889	1-3	AR778	Holder R for 48889	2-6	AR789	Cup (304) for 48889	3-1
AR768	Motor Cover for 48889	1-4	AR779	Screw M3x14 for 48889	2-7	AR790	Cup PC for 48889	3-2
AR769	Rubber Pad for 48889	1-5	AR780	Screw 4x14 for 48889	2-8	AR791	Holder for Cup for 48889	3-3
AR770	Motor for 48889	1-6	AR781	Shaft Driver for 48889	2-9	AR792	Seat for 48889	3-4
AR771	Motor Foot for 48889	1-7	AR782	Driver for 48889	2-10	AR793	Power Cord for 48889	3-5
AR772	Rubber Protector for 48889	1-8	AR783	Logo for 48889	2-11	AR794	Holder for Cord for 48889	3-6
AR773	Mixer A for 48889	2-1	AR784	Motor Housing for 48889	2-12	AR795	Counterweight for 48889	3-7
AR774	Mixer B for 48889	2-2	AR785	Bolt M8x80 for 48889	2-13	AR796	Bottom Cover for 48889	3-8
AR775	Screw 5x10 for 48889	2-3	AR786	Nut M8 for 48889	2-14	AR797	Underlay for 48889	3-9